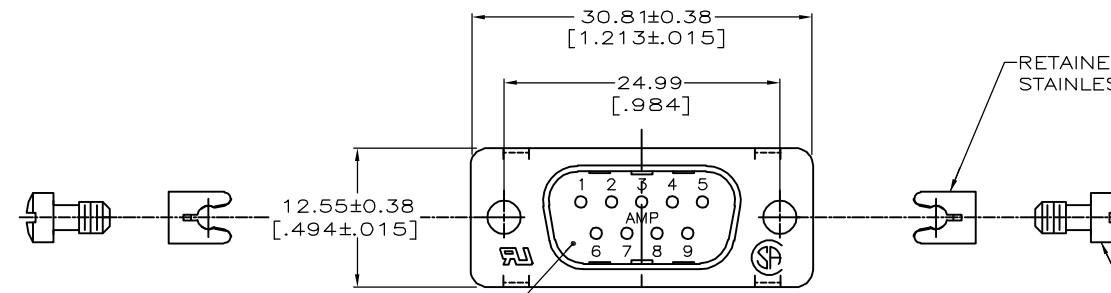


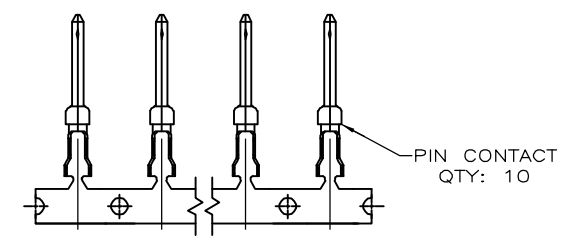
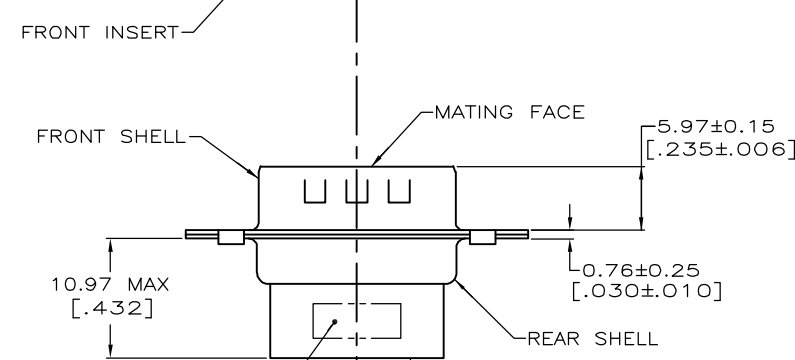
THIS DRAWING IS UNPUBLISHED. RELEASED FOR PUBLICATION
 © COPYRIGHT - BY TYCO ELECTRONICS CORPORATION. ALL RIGHTS RESERVED.

LOC	DIST	REVISIONS					
GP	00	P	LTR	DESCRIPTION	DATE	DWN	APVD
			A	REVISED PER EC 0S13-0266-05	18JUL06	BM	CR

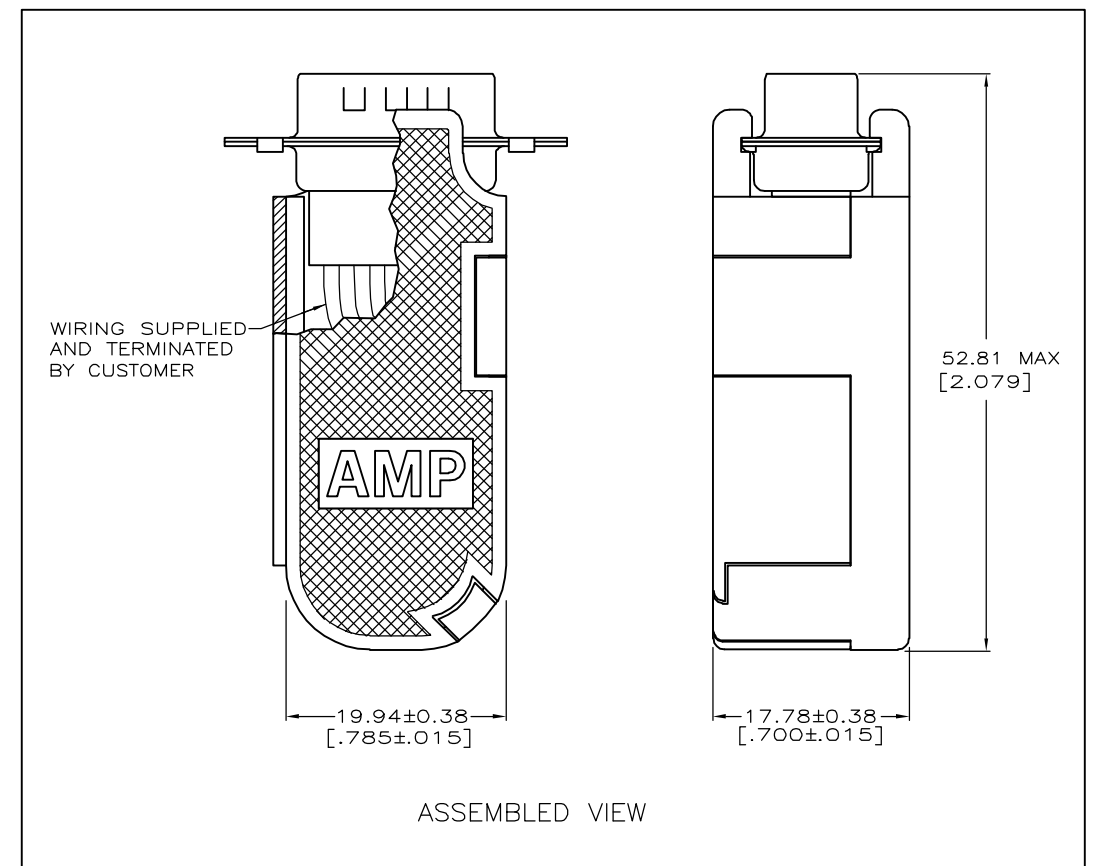


RETAINER CLIP, QTY: 2
STAINLESS STEEL

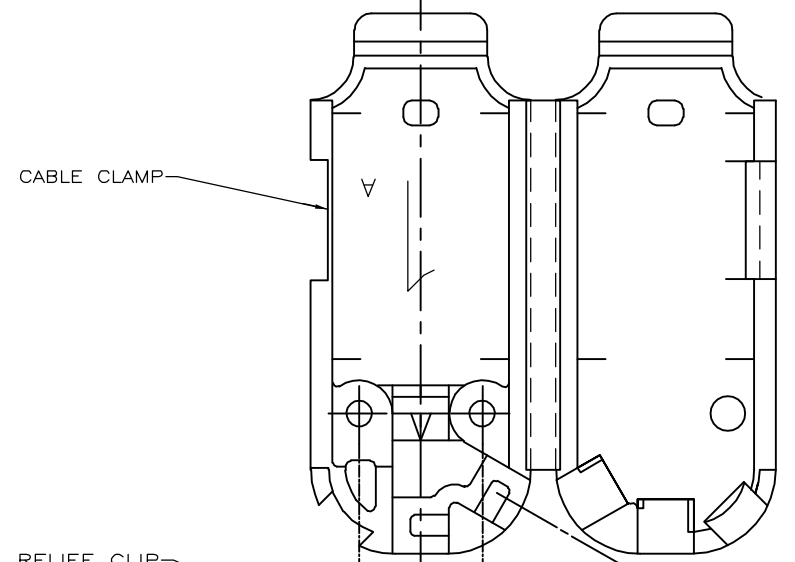
RETAINER SCREW, QTY: 2
CARBON STEEL, ZINC 3.81µm
[.000150] MIN CLEAR CHROMATE COATED.



MANUFACTURERS LOGO,
PART NO & DATE CODE, MARKED
IN AREA INDICATED, ON FAR SIDE



ASSEMBLED VIEW



- 1. CONTACTS ACCEPT 20-24 AWG RANGE.
- △ INSERTS: NYLON, GLASS FILLED, UL 94V-0 RATED, BLACK.
- △ CABLE CLAMP & CABLE GATE PLUG: POLYPROPYLENE, BLACK
- △ CONTACTS: BRASS.
- △ SHELLS: CARBON STEEL.
- △ CABLE GATE PLUG TO BE PLACED IN CABLE EXIT NOT BEING USED.
- △ CONTACTS: GOLD FLASH FOR A LENGTH OF 3.81[.150] MIN FROM MATING END, 2.54µm[.000100] MIN TIN ON OPPOSITE END FOR A LENGTH OF 4.06 [.160] MIN FROM END OF INSULATION BARREL, BOTH OVER 0.76µm[.000030] MIN NICKEL ON ENTIRE CONTACT.
- △ SHELLS: 5.08µm[.000200] MIN TIN OVER 2.54µm[.000100] MIN COPPER.
- △ STRAIN RELIEF CLIP CAN BE REVERSED FOR PROPER INSTALLATION, DEPENDING ON SIZE OF CABLE DIAMETER.
- 10. CABLE DIAMETER RANGE = 1.91-6.35 [.075-.250].

△ STRAIN RELIEF CLIP
STAINLESS STEEL,
PASSIVATED

CABLE GATE PLUG △

SELF TAPPING SCREW, QTY: 2
CARBON STEEL, ZINC PLATED
CLEAR CHROMATE COATED.

749808-8
PART NUMBER

THIS DRAWING IS A CONTROLLED DOCUMENT.		DWN 12-22-04 L. VARELA - DOCK5	Tyco Electronics Corporation Harrisburg, Pa 17105-3608	
DIMENSIONS: mm [INCHES]		CHK 12-22-04 J. GERACE		
TOLERANCES UNLESS OTHERWISE SPECIFIED:		APVD 12-22-04 M. WALMSLEY	NAME PLUG KIT, UNASSEMBLED, SIZE 1, 9 POSITION, AMPLIMITE HDP-20	
0 PLC ± -		PRODUCT SPEC 108-40005	DRAWING NO C-749808-8	
1 PLC ± -		APPLICATION SPEC 114-10000 & 114-40030	SIZE A3	CAGE CODE 00779
2 PLC ± 0.13 [.005]		WEIGHT -	RESTRICTED TO -	
3 PLC ± -		CUSTOMER DRAWING		
4 PLC ± -		SCALE 3:1		
ANGLES ± -		SHEET 1 OF 1		
FINISH △△△△		REV A		